

Application data

Beam style	well-defined, flat field profile projection
Suitable for	medium / large scale theatre
Specification level	professional range
Beam angle	8° - 22°
Typical throw distance	10 - 40m

Electrical data

Supply Volts	230/240V AC single phase to ballast unit
Max. Lamp Watts	1200W
Lamp base	G22
Auto-disconnect	double-pole microswitch
Cable/connection	2m, 3 x 2.5mm ² flexible cable to bare ends
Standards Compliance	EN60598-2-17, CE marked

Mechanical data

Paint/Finish	black epoxy powder paint
Lamp House Construction	extruded aluminium and sheet steel
Ballast	external unit (supplied) with on/off switch
Reflector	68mm diameter glass
Optical system	double condenser with variable zoom
Mounting & suspension	steel stirrup with 12mm centre hole and DIN mounting. Spigot for ø48mm tube supplied
Handle	rear and side
Weight/Packed weight	16.4kg / 21,7kg - ballast: 16,5kg /17,5 kg
Overall dimensions	330mm (w) x 920mm (d) x 232mm (h) max 480mm (h)
Packed volume	0.204m ³ ballast: 0.049m ³
Filter cut size	185 x 185mm
Accessory runners	3 slots
Safety guard	optional accessory
Colour frame	metal, 185 x 185mm, supplied
Lamp access	lowering base
Lens access	sliding panels beneath lamp tube

Operational data

Focus adjustment	slide zoom controls (dia./softness) at side
Lamp alignment	factory set
Beam Shaping	iris included; shutters are accessories
Dimming	optical dimmer iris included
Positional adjustment	lever tilt clamp

Lamp types

1200W 6000K	Philips 1200 MSD G22
1200W 7200K	Philips 1200 MSR G22

LDR recommends Philips lamps

Accessories

Lamps	see above
Spare metal colour frame	20100106
Safety guard	20100206
Spare iris	20100707
Gobo holder, M/D size, metal	20100801
Screw-on 5-colour changer	20105006
Spare spigot for ø48mm tube	20102200
Chrome tripod	20102400
Black tripod	20102401

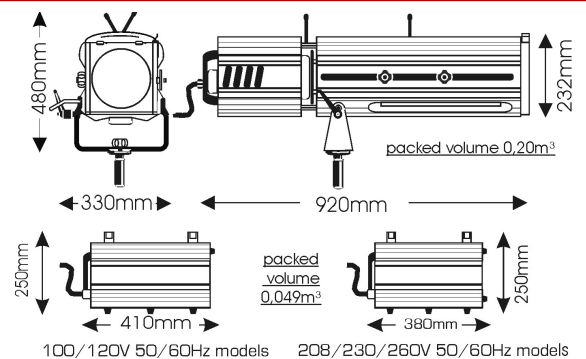
Photometric data

Narrow focus		1200 MSR									
Beam dia.		2.52	2.73	2.93	3.14	3.35	3.56	3.77	3.98	4.19	m
lux		3863	3291	2838	2472	2173	1925	1717	1541	1391	
Distance		24	26	28	30	32	34	36	38	40	m

Wide focus

Beam dia.		2.63	3.16	3.69	4.21	4.74	5.27	5.79	6.32	6.85	m
lux		5563	3863	2838	2173	1717	1391	1149	966	823	
Distance		10	12	14	16	18	20	22	24	26	m

Canto® 1200 MSD/MSR 1200W discharge followspot



The most powerful discharge source in the range, this 1200W MSR/MSD followspot incorporates a double condenser zoom optical system, a large side handle to control pan and tilt movement, and a double microswitch for safe lamp replacement. The minimum beam angle of 8° produces nearly 2500 lux at 30m with a 3m beam diameter. An external ballast, iris, mechanical dimmer, spigot, colour frame and 2m mains cable are all included



éclairage  théâtre sa

15, av. des Baumettes • 1020 Renens
tél 021 637 77 25 • fax 021 637 77 27
E-mail : info@eclairage-theatre.com
Web : www.eclairage-theatre.com