

### Application data

Beam style	well-defined, flat field profile projection
Suitable for	medium / large scale theatre
Specification level	professional range
Beam angle	8° - 22°
Typical throw distance	10 – 35m

### Electrical data

Supply Volts	230/240V AC single phase to ballast unit
Max. Lamp Watts	700W
Lamp base	G22
Auto-disconnect	double-pole microswitch
Cable/connection	2m, 3 x 2.5mm <sup>2</sup> flexible cable to bare ends
Standards Compliance	EN60598-2-17, CE marked

### Mechanical data

Paint/Finish	black epoxy powder paint
Lamp House Construction	extruded aluminium and sheet steel
Ballast	separate external unit (supplied) with on/off switch
Reflector	68mm diameter glass
Optical system	double condenser with variable zoom
Mounting & suspension	steel stirrup with 12mm centre hole and DIN mounting. Spigot for ø48mm tube supplied
Handle	rear and side
Weight/Packed weight	16,4kg / 21,7kg – ballast 16,5kg / 17,5kg
Overall dimensions	330mm (w) x 920mm (d) x 232mm (h) x max 480mm (h)
Packed volume	0.204m <sup>3</sup> ballast: 0.049m <sup>3</sup>
Filter cut size	185 x 185mm
Accessory runners	3 slots
Safety guard	optional accessory
Colour frame	metal, 185 x 185mm, supplied
Lamp access	lowering base
Lens access	sliding panels beneath lamp tube

### Operational data

Focus adjustment	slide zoom controls (dia/softness) at side
Lamp alignment	factory set
Beam Shaping	iris included; shutters are accessories
Dimming	optical dimmer iris included
Positional adjustment	lever tilt clamp

### Lamp types

700W 6000K	Philips 700 MSD G22
700W 7200K	Philips 700 MSR G22

LDR recommends Philips lamps

### Accessories

Lamps	see above
Spare metal colour frame	20100106
Safety guard	20100206
Spare iris	20100707
Gobo holder, M/D size, metal	20100801
Screw-on 5-colour changer	20105006
Spare spigot for ø48mm tube	20102200
Chrome tripod	20102400
Black tripod	20102401

### Photometric data

Narrow focus	700 MSR									
Beam dia.	1.89	2.1	2.31	2.52	2.73	2.93	3.14	3.35	3.56	m
lux	3507	2841	2348	1973	1681	1449	1263	1110	983	
Distance	18	20	22	24	26	28	30	32	34	m

### Wide focus

Beam dia.	2.63	3.16	3.69	4.21	4.74	5.27	5.79	6.32	6.85	m
lux	2727	1894	1391	1065	842	682	563	473	403	
Distance	10	12	14	16	18	20	22	24	26	m

# Canto® 700 MSD/MSR

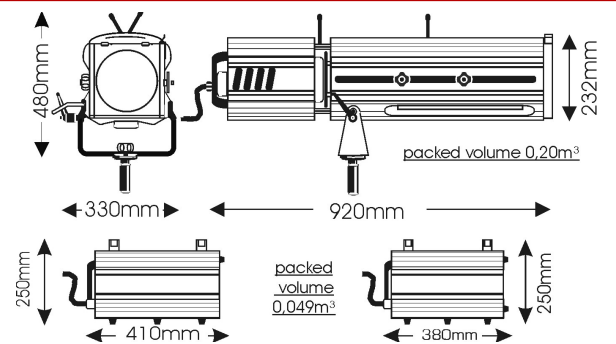
## 700W

### discharge followspot

part number 10707080



CE



For more power at middle distance throws, this 700W MSR or MSD-powered discharge followspot is the obvious choice. The double condenser zoom optical system provides excellent beam distribution, and operational features include a large side handle to control pan and tilt movement, and a double microswitch interlock for safe lamp replacement.

An external ballast, iris, mechanical dimmer, spigot, colour frame and 2m mains cable are all included. A 5-colour colour changer is available as an optional extra.

LDR  
lucaluzribalta

éclairage  théâtre sa

15, av. des Baumettes • 1020 Renens  
tél 021 637 77 25 • fax 021 637 77 27  
E-mail : info@eclairage-theatre.com  
Web : www.eclairage-theatre.com