

Application data

| | |
|------------------------|--|
| Beam style | symmetric flood |
| Suitable for | small-scale theatre, general floodlighting |
| Specification level | professional range |
| Typical throw distance | 2 - 5m |

Electrical data

| | |
|----------------------|--|
| Supply Volts | 230/240V AC single phase |
| Max. Lamp Watts | 500W |
| Lamp base | R7s |
| Auto-disconnect | double-pole microswitch |
| Cable/connection | 1.5m, 3 x 1.5mm ² flexible cable to bare ends |
| Standards Compliance | EN60598-2-17, CE marked |

Mechanical data

| | |
|-------------------------|--|
| Paint/Finish | black/silver/white epoxy powder paint |
| Lamp House Construction | 1-compartment, may be coupled together with identical units to create a 2/3/4 compartment batten, available accessories for domino assembling. |
| Reflector | symmetrical, aluminium |
| Mounting & suspension | steel stirrup with 12mm centre hole and DIN mounting |
| Weight/Packed weight | 2,6kg / 3,1kg |
| Overall dimensions | 300mm (w) x 105mm (d) x max 242mm (h) |
| Packed volume | 0.017m ³ |
| Filter cut size | 244 x 195mm |
| Accessory runners | 3 slots |
| Safety glass | supplied |
| Colour frame | metal, 244 x 195mm supplied |
| Lamp access | front access |

Operational data

| | |
|-----------------------|--|
| Working position | max. tilting $\pm 180^\circ$ from vertical |
| Positional adjustment | tilt lock on one side |

Lamp types

| | |
|------|-----|
| 200W | K11 |
| 300W | K9 |
| 500W | K1 |

LDR recommends Philips lamps

Accessories

| | |
|--------------------------------|------------------------------------|
| Lamps | see above |
| Spare metal colour frame | ■ 20100121 □ 20100121B ■ 20100121C |
| Spare clear safety glass | 20101420 |
| Safety guard | 20100220 |
| 4-leaf barndoor | ■ 20100420 □ 20100420B ■ 20100420C |
| 3-leaf barndoor | ■ 20100620 □ 20100620B ■ 20100620C |
| 2-leaf barndoor | ■ 20100520 □ 20100520B ■ 20100520C |
| Kit for square mounting | 20101920 |
| Kit for linear mounting 2xrima | 20102622 |
| Kit for linear mounting 3xrima | 20102623 |
| Kit for linear mounting 4xrima | 20102624 |
| Hook clamp | 20100900 |
| Alu-grip clamp | 20101100 |
| Safety bond | 20101200 |

Photometric data

| Horizontal | | | | | | | | | | K1 |
|------------|-----|-----|-----|-----|-----|------|----|------|------|----|
| Beam dia. | 3.2 | 4.9 | 6.5 | 8.1 | 9.7 | 11.3 | 13 | 14.6 | 16.2 | m |
| lux | 913 | 406 | 228 | 146 | 101 | 74 | 57 | 45 | 37 | |
| Distance | 2 | 3 | 4 | 5 | 6 | 7 | 8 | 9 | 10 | m |

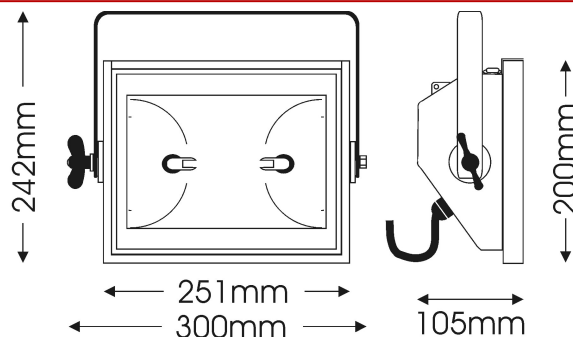
| Vertical | | | | | | | | | | |
|-----------|------|-----|-----|-----|-----|-----|-----|-----|-----|---|
| Beam dia. | 1.9 | 2.9 | 3.8 | 4.8 | 5.7 | 6.7 | 7.6 | 8.6 | 9.5 | m |
| lux | 1345 | 598 | 336 | 215 | 149 | 110 | 84 | 66 | 54 | |
| Distance | 2 | 3 | 4 | 5 | 6 | 7 | 8 | 9 | 10 | m |

rima[®] S500 Pro

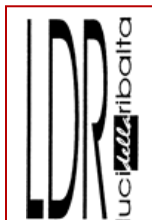
200 - 500W

symmetric floodlight

part number: ■ 10516060 □ 10516061 ■ 10516062



New, stylish and high specification 500W symmetric floodlights, ideal for all applications where a wide, even wash of light is required. The modular design enables several units to be coupled together to form a single compartment or square batten. Improved design prevents any light spill. A colour frame, a double microswitch interlock for safe lamp replacement, a safety glass and 1.5m mains cable are supplied as a standard whereas a large choice of accessories is available as optional extras. Available to special order in any colour from the RAL range.



éclairage  théâtre sa

15, av. des Baumettes • 1020 Renens
 tél 021 637 77 25 • fax 021 637 77 27
 E-mail : info@eclairage-theatre.com
 Web : www.eclairage-theatre.com