

### Application data

Beam style	variable-spread, well-defined soft beam
Suitable for	theatre, clubs, small stage areas
Specification level	economy range
Beam angle	7° - 60°
Typical throw distance	2 - 10m

### Electrical data

Supply Volts	230/240V AC single phase
Max. Lamp Watts	650W
Lamp base	GY9.5
Auto-disconnect	no
Cable/connection	1.5m, 3x1.5mm <sup>2</sup> flexible cable to bare ends
Standards Compliance	EN60598-2-17, CE marked

### Mechanical data

Paint/Finish	black epoxy powder paint
Lamp House Construction	extruded aluminium and sheet steel
Reflector	55mm diameter glass
Lens	120mm diameter Fresnel
Mounting & suspension	steel stirrup with 12mm centre hole and DIN mounting. Stirrup rotates 360° around the body of the luminaire
Rear handle	yes
Weight/Packed weight	4 kg / 4,6kg
Overall dimensions	210mm(w) x305mm(d) x193mm(h) max 280mm(h)
Packed volume	0.021m <sup>3</sup>
Filter cut size	150 x 150mm
Accessory runners	3 slots
Safety guard	included
Colour frame	metal, 150x150mm, supplied
Lamp access	sliding top cover
Lens access	front and via lamp access

### Operational data

Focus adjustment	slide focus with control underneath
Working position	max. tilting ±90° from horizontal
Beam Shaping	using barndoor accessory
Positional adjustment	single rim-clamp tilt lock

### Lamp types

300W	M38
500W	M40, T18, T25
650W	T26, T27

### LDR recommends Philips lamps

### Accessories

Lamps	see above
Spare metal colour frame	■20100103 □20100103B ■20100103C
Spare safety guard	■201002103 □20100203B ■20100203C
4-leaf barndoor	■20100303 □20100303B ■20100303C
Hook clamp	20100900
Alu-grip clamp	20101100
Safety bond	20101200

\* effect wheels and colour changers available on request

### Photometric data

Spot focus	T27									
Beam dia.	0.2	0.4	0.5	0.6	0.7	0.9	1.0	1.1	1.2	m
lux	16600	7378	4150	2656	1844	1355	1038	820	664	
Distance	2	3	4	5	6	7	8	9	10	m

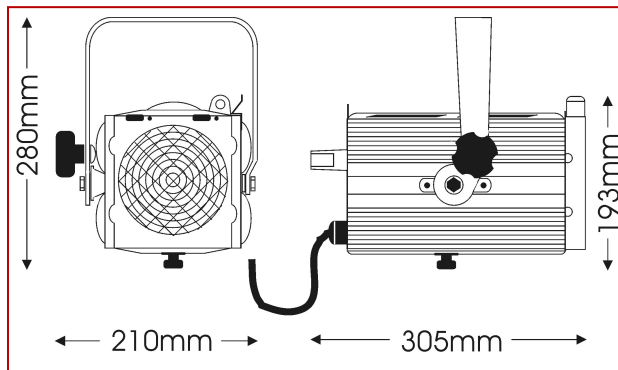
### Flood focus

Beam dia.	2.3	3.5	4.6	5.8	6.9	8.1	9.2	10.4	11.5	m
lux	3096	1376	774	495	344	253	194	153	124	
Distance	2	3	4	5	6	7	8	9	10	m

# tempo<sup>®</sup> f650 plus

## 650W fresnel

part number : ■10601000 □10601001 ■10601002



This new version of the popular 500W or 650W Fresnel spotlight has a slide-focus variable-spread soft-edged beam which is ideal for small, intimate stage areas. Also included as standard are a DIN standard colour frame, safety guard and 1.5m mains cable. Available to special order in any colour from the RAL range



**éclairage e.t. théâtre sa**

15, av. des Baumettes • 1020 Renens  
 tél 021 637 77 25 • fax 021 637 77 27  
 E-mail : info@clairage-theatre.com  
 Web : www.eclairage-theatre.com